

INSTALLATION INSTRUCTIONS

SIGNIA HEATED TOWEL RAILS strongly advise that a qualified electrician installs the rail in compliance to the SA National Wiring Code (SANS 10142-1: 2003).

ALWAYS MOUNT THE RAIL WITH THE ELEMENT / WIRING AT THE BOTTOM AS THERMAL FLUID CONVECTION IS USED TO HEAT THE RAIL.

Installed, the rail should be at least 50mm below any overhanging surface, and 75mm above the floor or skirting board.

The electrical switch should be situated outside the bathroom.

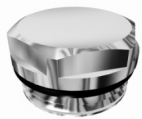
The chrome surface finish is durable and easy to clean. Prior to cleaning, please ensure that power supply to the towel rail is off. For best results, wipe the rail with a damp cloth and buff with a dry cloth. Do not use an abrasive cleaner or metal polish on any part of the rail.

Your SIGNIA heated towel rail is guaranteed to be free from manufacturing faults for a period of five years from date of purchase. Similarly, the electrical element is guaranteed for a period of two years and can be replaced in the event of failure.

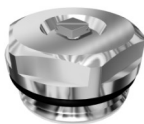
Please retain your Proof of Purchase as this will be required when submitting a guarantee claim.

A bracket set for mounting the rail on the wall is supplied with the rail.

Bracket Set Contents:



(A) Blanking Plug



(B) Air Vent Plug



(C) Wall Support
x 4



(D) Wall Screw
x 4



(E) Washer
x 4



(F) Wall Plug
x 4



(G) Bracket Stem
x 4



(H) Bracket Bush
x 4



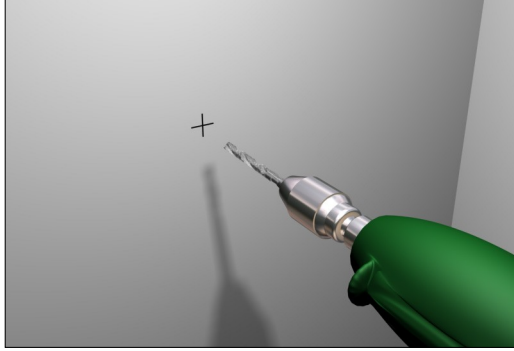
(I) Bracket Screw x
4



(J) Mini Screw
x 4

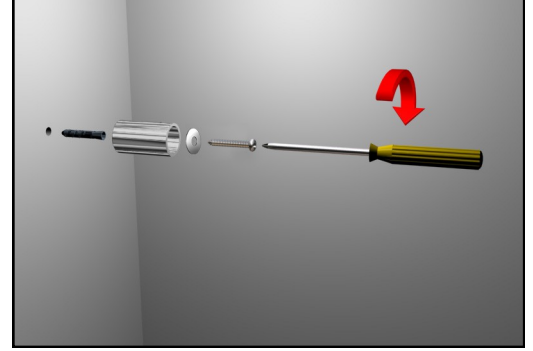


(K) Cover Cap
x 4



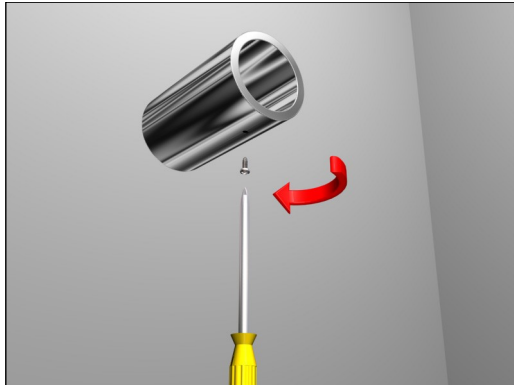
Step 1

Select the desired mounting position and ensure the wall is sufficiently strong enough to hold the weight of the product. Masonry walls are ideal. Mark the fixing points on the wall and drill an 8mm diameter hole.

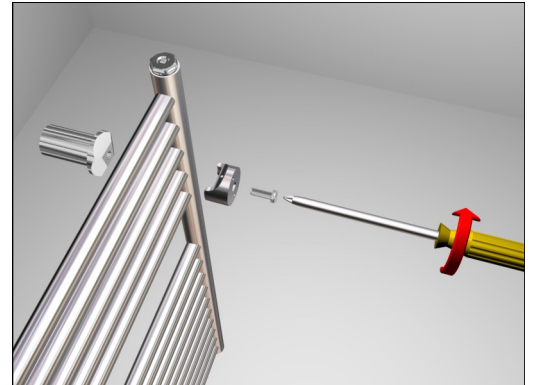


Step 2

Screw the wall support (C) to the wall using the wall screw (D) and the washer (E). Use wall plug (F) if you are fixing into masonry. The Mini screw hole in the side of the wall support (C) should be facing the floor. Repeat for all 4 x wall supports.



Position for
Bracket Stems

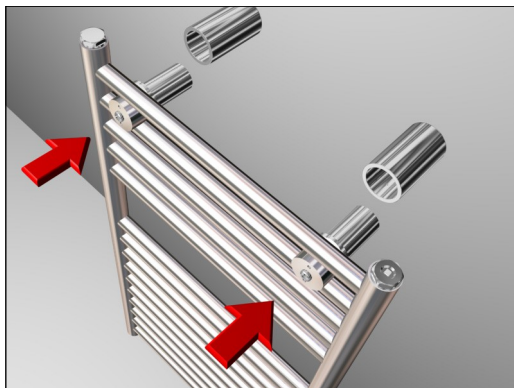


Step 3

Loosely fit the mini screw (J) to the wall support (C) but do not tighten. Repeat for all 4 x wall supports. The mini screws are only fitted now because it is easier than when the towel rail is in place.

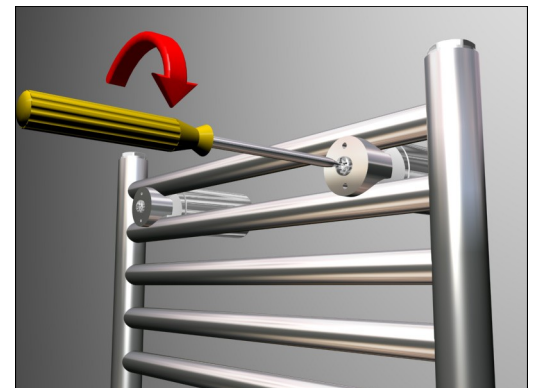
Step 4

Loosely fit the bracket stem (G) to the towel rail using the bracket bush (H) and bracket screw (I) but do not tighten fully. Repeat for all 4 x bracket stems. Each bracket bush (H) needs to be positioned as below to ensure that the bracket stem tails (G) meet the wall supports at the correct angle.



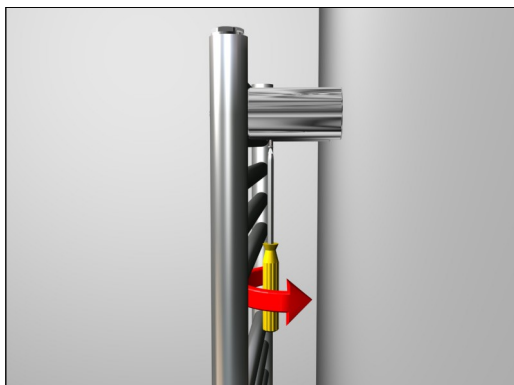
Step 5

Align the bracket stems (G) with the wall supports (C) and push the rail back towards the wall.
ENSURE THAT THE ELEMENT / WIRING IS AT THE BOTTOM OF THE RAIL



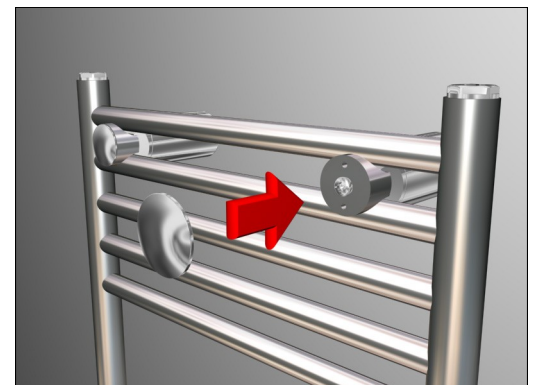
Step 6

Tighten the 4 x bracket screws (I) using a screwdriver.



Step 7

Make sure that the rail is pushed firmly against the wall and tighten the 4 x mini screws (J) to secure.



Step 8

Fit the 4 x cover caps (K) over each bracket head.

Step 9

Connect the element wiring and switch on. It will take approximately 30 minutes for the rail to heat up.

SIGNIA rails are designed to run continually, 24 hours a day. The element is safe and reliable using less power than a couple of light bulbs. Allow for a settling in period of a few days for the rail's thermal circulation to provide an even distribution of heat.